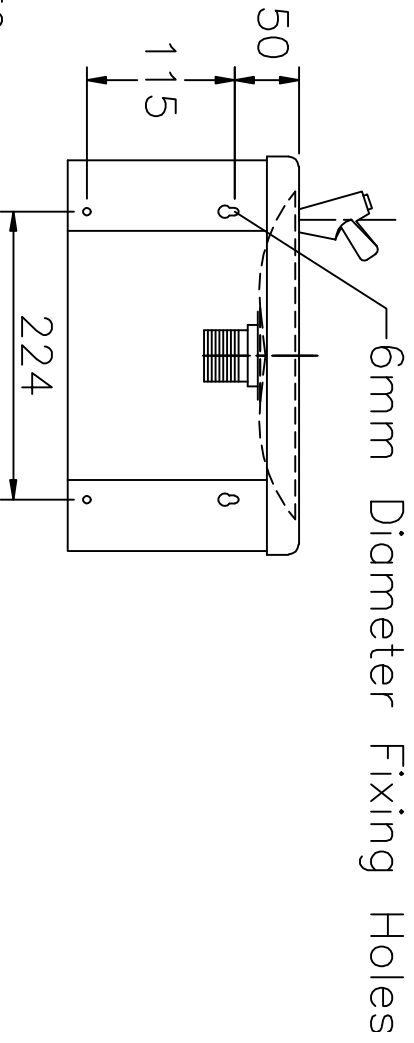


32mm (1 1/4" BSP) Waste



6mm Diameter Fixing Holes