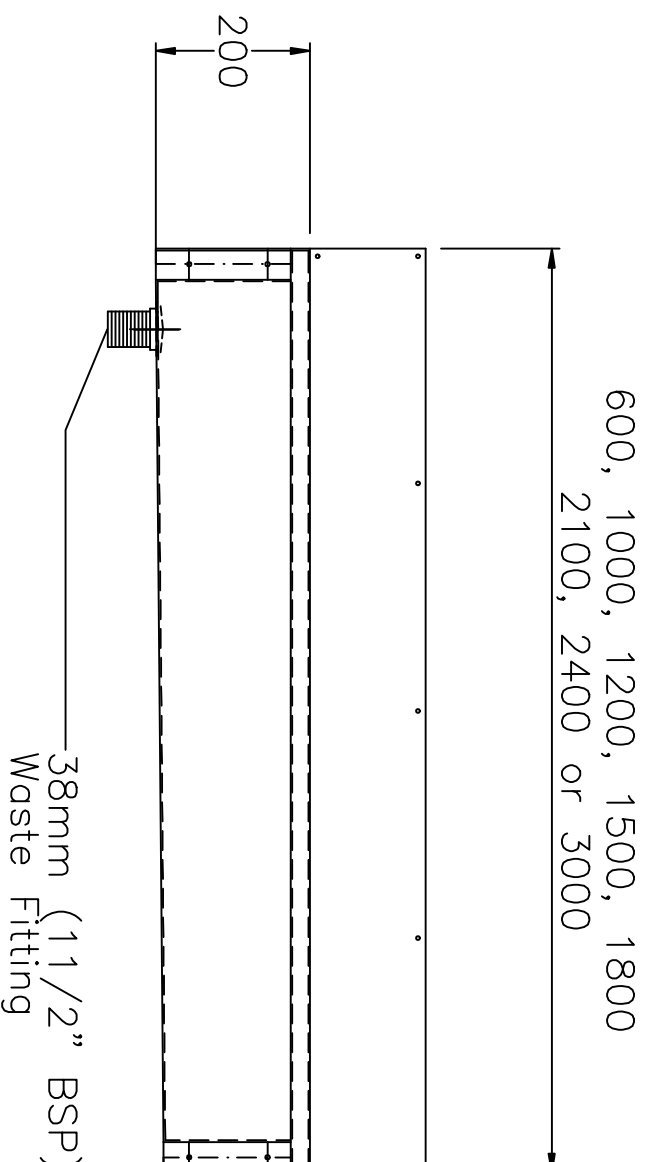
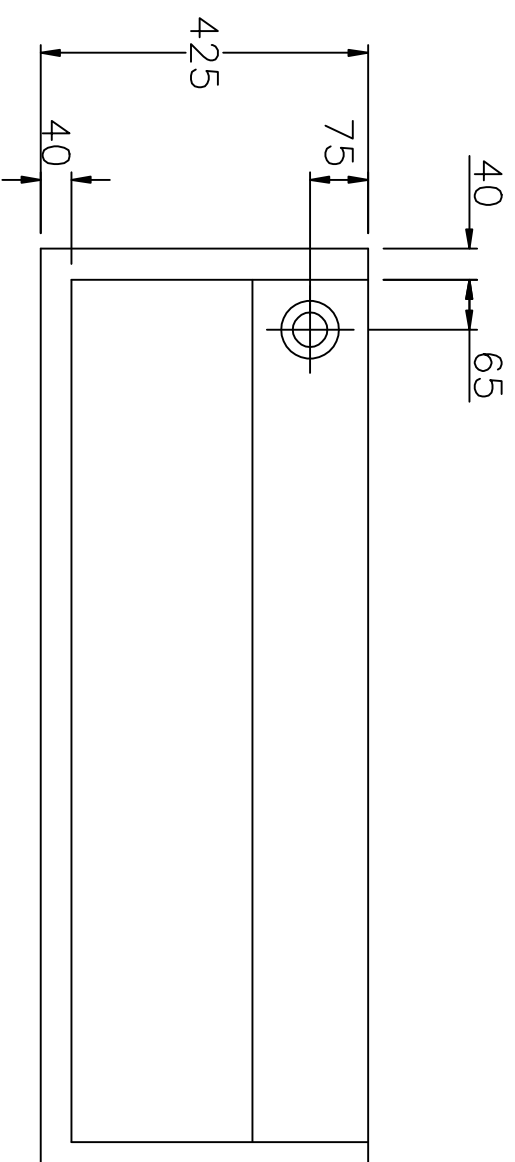


Non Standard Sizes By Request



6mm Diameter Fixing Holes

