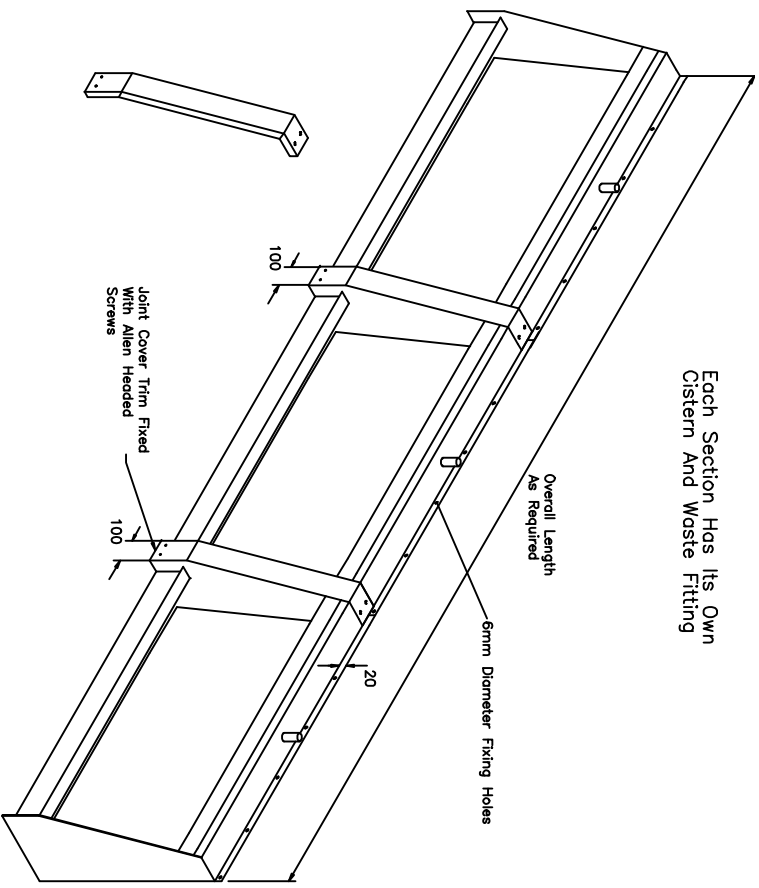


Each Section Has Its Own
Cistern And Waste Fitting



Overall Length
As Required

300

300

20

Overall Length
As Required

Corner Capping Fits
Over Urinal Flanges
And Is Screwed
To Wall

Angle Fits Over Flanges
And Is Fixed With Allen
Headed Screws

